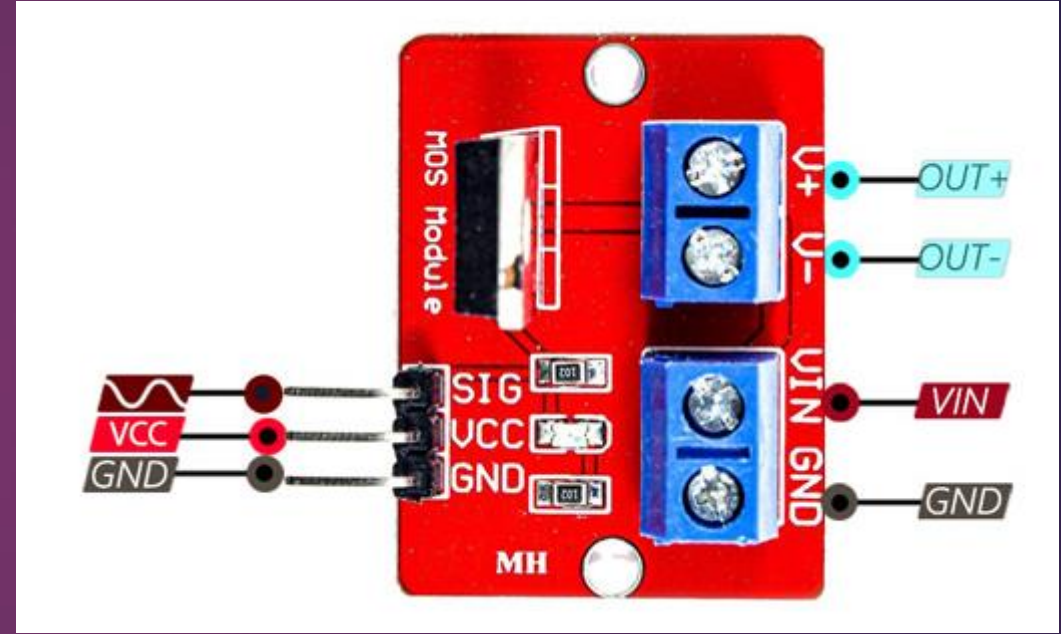
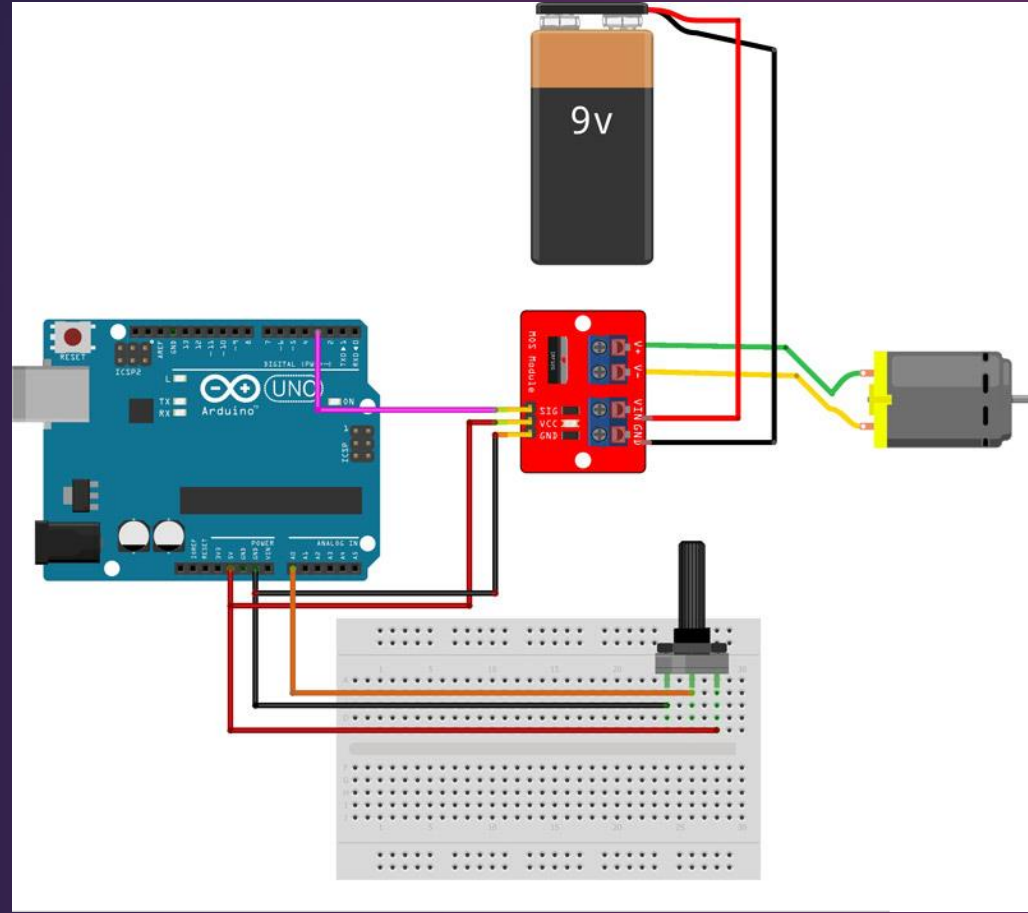
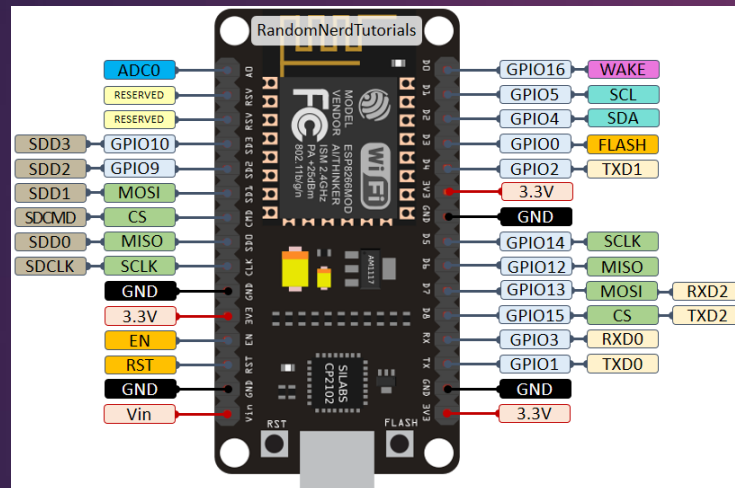


Menu Selection using Keypad with I2C on OLED using Nodemcu

DINESH KUMAR
ISRO SATELLITE CENTER
BANGALORE



Nodemcu D4 Pin PWM 2



```
#define PWM 2  
int pot;  
int out;
```

```
void setup() {  
  Serial.begin(9600);  
  pinMode(PWM,OUTPUT);  
}
```

```
void loop() {  
  pot=analogRead(A0);  
  out=map(pot,0,1023,0,255);  
  analogWrite(PWM,out);  
}
```

Download ZIP library file - <https://github.com/HobbyComponents/HCMotor>