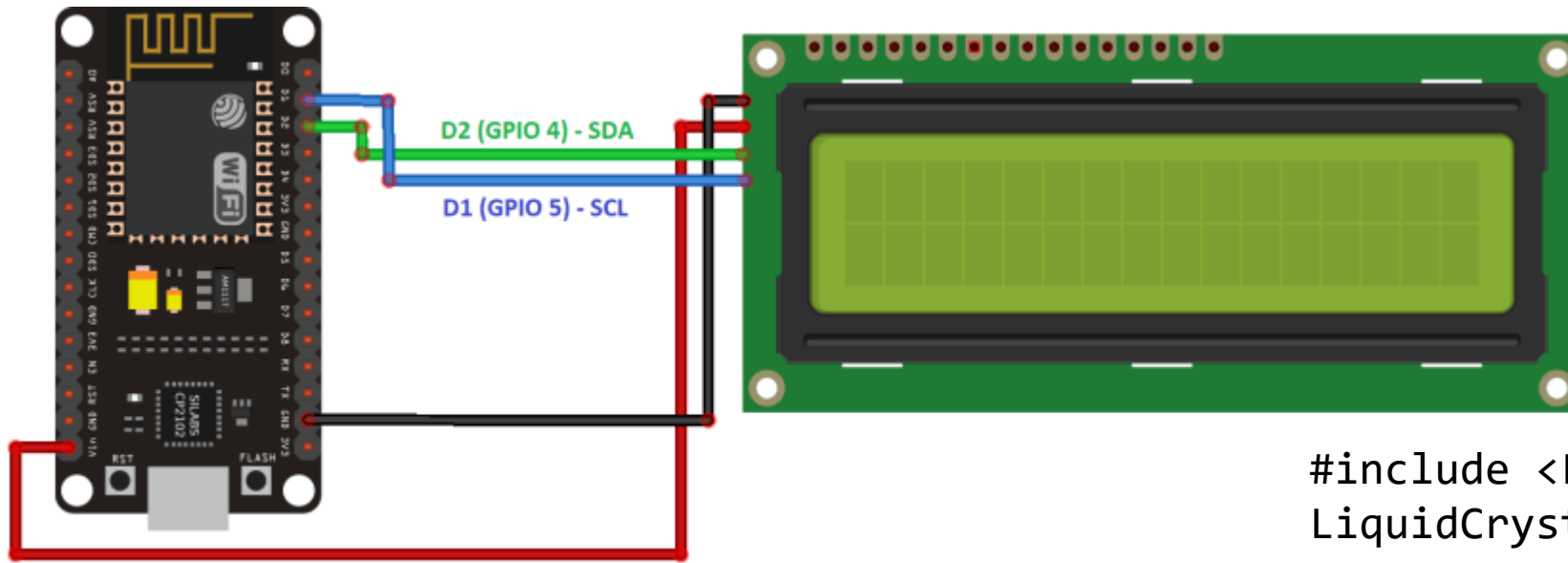


LCD I2C

Display with Nodemcu

Dinesh Kumar
ISRO Satellite Center,
Bangalore



```
#include <LiquidCrystal_I2C.h>  
LiquidCrystal_I2C lcd(0x27, 16, 2);
```

```
void setup() {  
    lcd.begin();  
    lcd.backlight();  
}
```

```
void loop(){  
    lcd.setCursor(0, 0);  
  
    lcd.print("Dinesh");  
  
    lcd.setCursor(0, 1);  
    lcd.print("Kumar");  
}
```