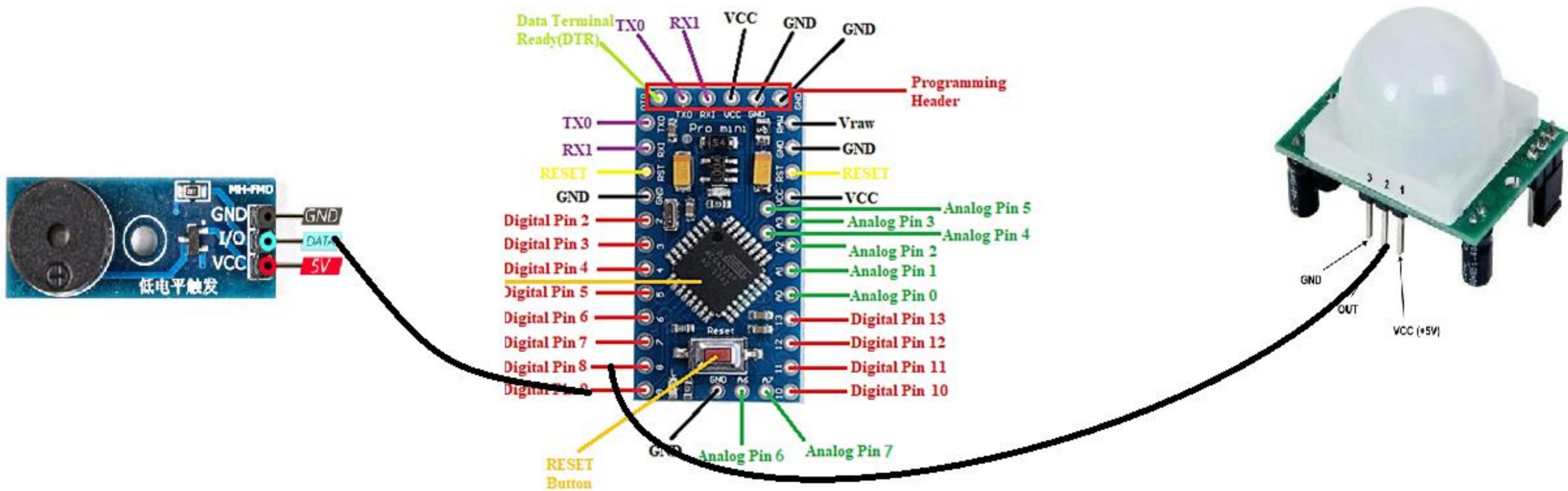


# Motion Detection Buzzer

Dinesh Kumar

ISRO

Bangalore



```
void setup()
{
  pinMode (8, INPUT);
  pinMode (9, OUTPUT);
}
```

```
void loop()
{
  int statusSensor = digitalRead (8);
  if (statusSensor == 1) { digitalWrite(9, LOW); }
  else { digitalWrite(9, HIGH); }
}
```